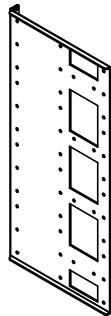
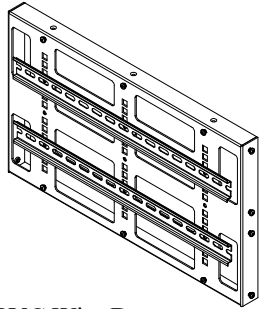


# IRP11225D 12U DIN Rail Panel Installation

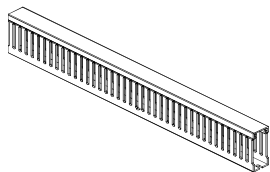
## Included in this package

(2) 6U Din Rail Panel

(2) 12U Ear Bracket



(2) PVC Wire Duct



(3) DRP100 Center Mount Brackets

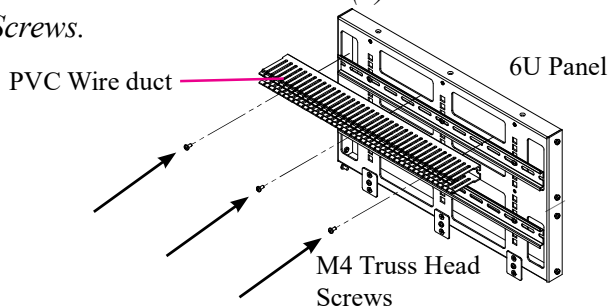


(1) DIN Rail

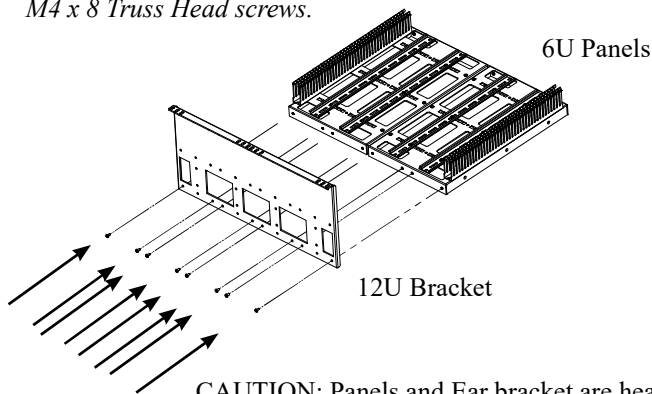


## Installation Steps

**Step 1.** Install PVC Wire ducts. Align mounting holes on PVC with M4 PEM nuts on edge of the 6U Panel. Secure PVC with (3) M4 Truss Head Screws.



**Step 2.** Lay down both 6U din rail panels side by side on a flat surface. Align mounting holes on 12U ear bracket with PEM nuts on right side of the panel. Secure bracket with (8) M4 x 8 Truss Head screws.



**CAUTION:** Panels and Ear bracket are heavy. You might need to ask a person to assistance

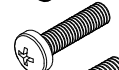
(25) M4 x 8 Truss Head Screws



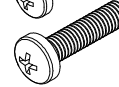
(6) M4 x 6 Flat Head Screws



(4) #10-32 x 5/8 Screws

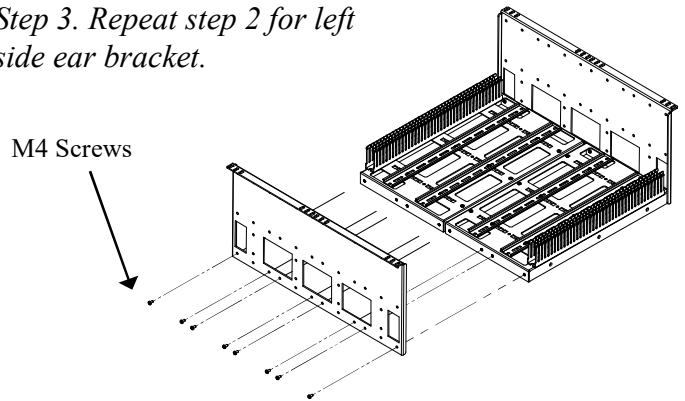


(4) #12-24 x 5/8 Screws

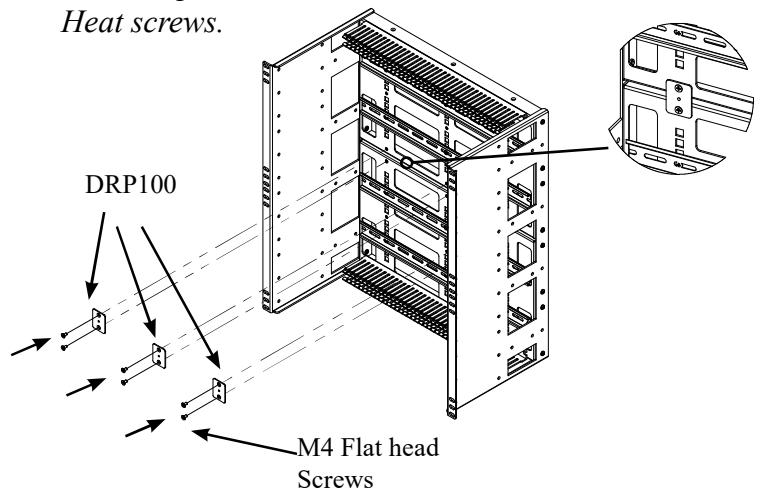


**Step 3.** Repeat step 2 for left side ear bracket.

M4 Screws



**Step 4.** Align DRP100 Center Mount brackets with M4 PEM nuts on edge of 6U panel at the center section. Secure top and bottom holes on DRP100 with M4 Flat Head screws.



**Step 5.** Align DIN rail mounting hole slots with M4 screw holes at center of DRP100 plate. Secure DIN rail with M4 Truss Head screws.

DIN Rail

